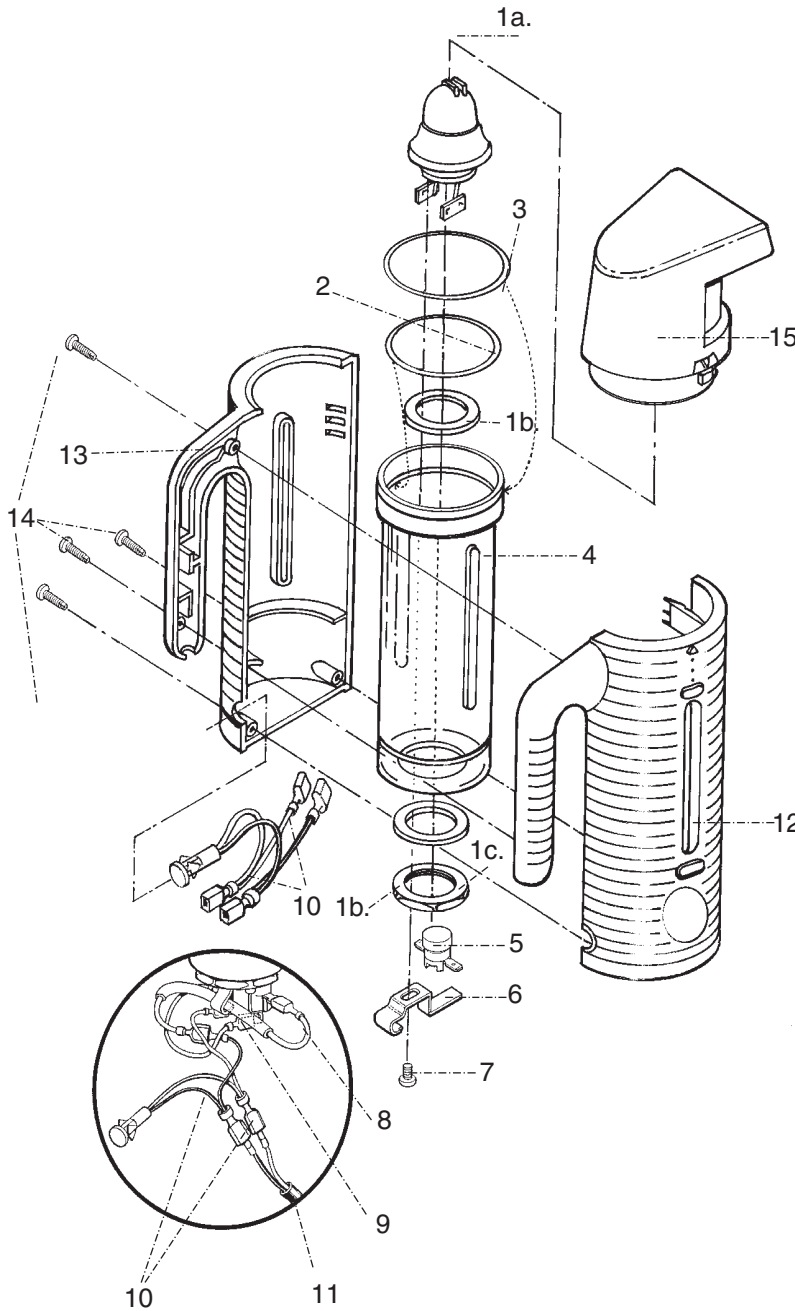


MODEL ESTEAM

Parts Diagram



Worldwide Leader in Steaming Equipment Since 1940



Should you ever need replacement parts for your Jiffy Steamer, you may purchase them separately. Use this convenient diagram and parts list to identify any part you may need. Please reference the Jiffy Steamer part number, model number and serial number when ordering.

Jiffy Steamer			List Price
Key#	Part #	Part Description	inc. GST
1	0655	Esteam 230 Volt 625 Watt Heater with Gaskets and Nut	\$ 45.69
1a.		Esteam Heater (Sold with Item #0655 as a Kit)	
1b.		Gasket for Esteam Heater (Sold with Item #0655 as a Kit)	
1c.		Nut for Esteam Heater (Sold with Item #0655 as a Kit)	
2	0661	Red Inside O-Ring	\$ 4.04
3	0662	Black Outside O-Ring	\$ 4.04
4	0669	Esteam Water Tank	\$ 64.50
5	0640	Esteam 36 T-L263 Thermostat	\$ 18.14
6	0643	Fusible Link Clamp	\$ 3.60
7	0644	Fusible Link Clamp Screw	\$ 4.04
8	0641	Fusible Link Wire with Insulated Lug (Orange)	\$ 6.72
9	0681	Red Wire with Insulated Lugs	\$ 4.04
	0646	Pilot Light with Wiring Harness for 230 Volt Electrical Systems	\$ 18.81
11	0651	Cord set (ETSA S-86, 230V)	\$ 18.81
12	0665	Right Case Half	\$ 37.63
13	0666	Left Case Half	\$ 37.63
14	0667	Four (4) Screws for Esteam Outer Case Halves	\$ 2.68
15	0663	Complete Steam Cap with Face Plate	\$ 53.76

ACCESSORIES

0899	Liquid Cleaner - Pack of two 250ml bottles	\$ 19.95
------	--	----------

Jiffy Steamers Australia Pty Ltd
 Postal: PO Box 2182, Moorabbin, VIC 3189
 Tel: 1300-511-677 Fax: 03-8676-4985
 Web: www.jiffysteamers.com.au Email: jsinfo@jiffysteamers.com.au

Form 3900-D